

7.0V 单通道直流马达驱动芯片

■ 产品概述

FH8118 是一款为低输入电压下工作的系统而设计的直流电机驱动集成电路，单通道低导通电阻。具备电机正转/反转/停止/刹车四个功能。

FH8118 内置温度保护功能，当芯片温度急剧升高，内部电路关断内置的功率开关管，切断负载电流。

FH8118 采用的封装形式: SOT-23-6L, 符合 ROHS 规范, 引脚框架100%无铅。

■ 典型应用电路

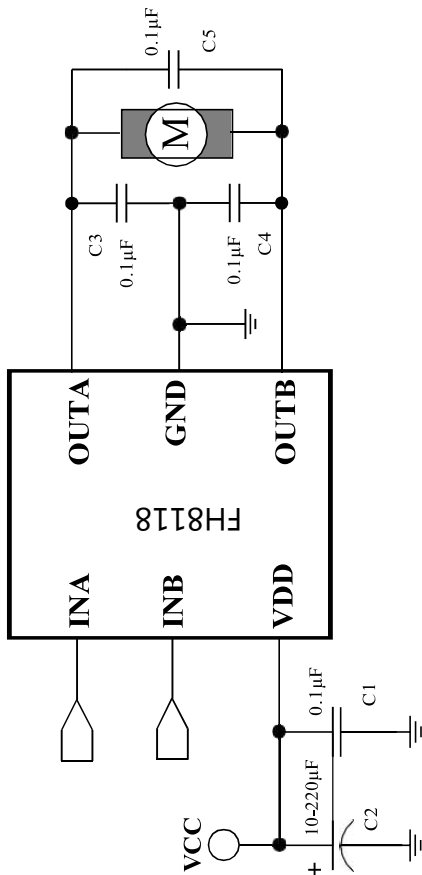


图 1. SOT-23-6L 典型应用电路图

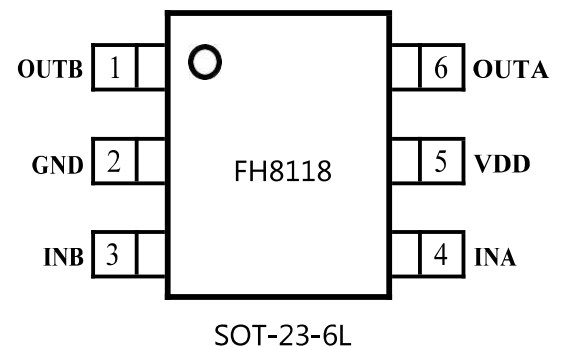
■ 产品特征

- 工作电压范围: 2.4V ~ 7.2V
- 极低的待机电流, 0.1µA (typ.)
- 低RDS(ON)电阻: 0.55Ω
- 集成过热保护功能
- 存储温度: -55 ~ +150°C
- 封装形式: SOT-23-6L (FH8118)

■ 应用领域

- 电动玩具
- 智能锁、挂锁
- 车载夹
- 直流有刷电机驱动

■ 引脚定义



■ 引脚功能

SOT-23-6L

引脚序号	引脚名称	输入/输出	描述
1	OUTB	输出	反转输出
2	GND	接地	接地
3	INB	输入	反转输入
4	INA	输入	正转输入
5	VDD	电源	输入功率电源
6	OUTA	输出	正转输出

■ 订购信息

部品编码	工作温度	封装形式	表面印字	包装数量
FH8118M6	-30 ~ +85°C	SOT-23-6L	TFD***	3000/Reel

说明:

- 1) FH8118 产品满足无铅要求和RoHS 标准。
- 2) 我们的器件在生产过程中可能变更器件表面印字，不涉及到电气性参数修改，将不单独申明通知。
- 3) 如有定制需求，请与我们营业部门联络沟通。



ESD SENSITIVITY CAUTION

ESD damage can range from subtle performance degradation to complete device failure. Precision integrated circuits may be more susceptible to damage because very small parametric changes could cause the device not to meet its published specifications.

Note:

- The information described herein is subject to change without notice.
- ForDevices Inc. is not responsible for any problems caused by circuits or diagrams described herein whose related industrial properties, patents, or other rights belong to third parties. The application circuit examples explain typical applications of the products, and do not guarantee the success of any specific mass-production design.
- Use of the information described herein for other purposes and/or reproduction or copying without the express permission of ForDevices Inc. is strictly prohibited.
- The products described herein cannot be used as part of any device or equipment affecting the human body, such as exercise equipment, medical equipment, security systems, gas equipment, or any apparatus installed in airplanes and other vehicles, without prior written permission of ForDevices Inc.
- Although ForDevices Inc. exerts the greatest possible effort to ensure high quality and reliability, the failure or malfunction of semiconductor products may occur. The user of these products should therefore give thorough consideration to safety design, including redundancy, fire-prevention measures, and malfunction prevention, to prevent any accidents, fires, or community damage that may ensue.

Update by Jan.2020