

7.0V 单通道直流马达驱动芯片

器件概述

FH8118S 是一颗适用于电动牙刷，玩具，成人用品，车载支架等单通道直流正反转马达驱动芯片。FH8118S 是一颗单通道内置功率 MOS 全桥驱动芯片，有驱动前进、后退、停止及刹车功，有内置迟滞热效应过流保护功，FH8118S 低导通电阻 (1.6Ω)，最大连续输出电流可达 1.8A 峰值 2.5A，无需外围滤波电容。FH8118S 提供 SOP-8L 封装。

主要特点

- * 单通道内置功率 MOS 全桥驱动
- * 低导通电阻 (1.6Ω)
- * 最大连续输出电流可达 1.8A 峰值 2.5A
- * 驱动前进、后退、停止及刹车
- * 内置迟滞热效应过热保护
- * 无需外围滤波电容
- * FH8118S 采用 SOP8 无铅封装

应用领域

- * 电动牙刷
- * 玩具马达驱动
- * 车载支架
- * 智能洗手液
- * 洁面仪驱动
- * 遥控车
- * 单通道直流正反转的应用

典型应用电路

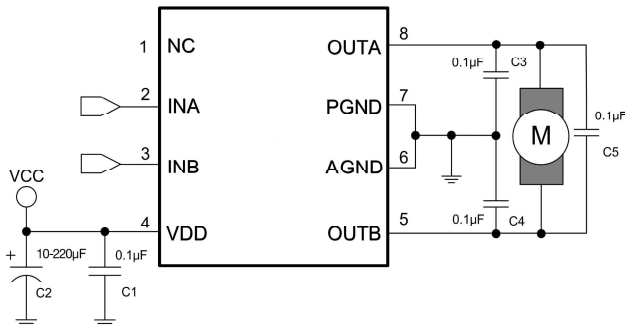
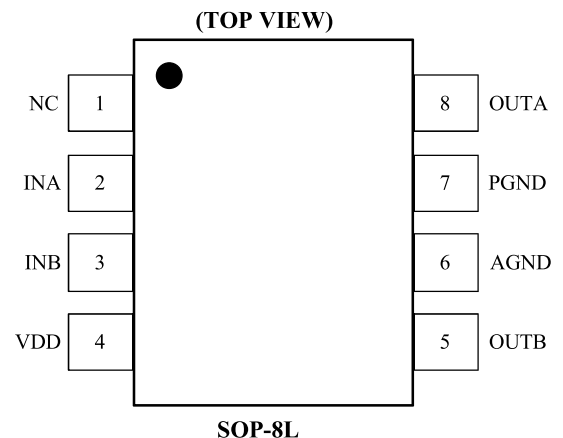


图 1. SOP8 典型应用电路图

引脚定义



引脚功能说明

序号	符号	I/O	功能说明
1	NC	—	悬空
2	INA	I	接合 INB 决定状态
3	INB	I	接合 INA 决定状态
4	VDD	P	电源正极
5	OUTB	O	全桥输出 B 端
6	AGND	G	地
7	PGND	G	地
8	OUTA	O	全桥输出 A 端

■ 订购信息

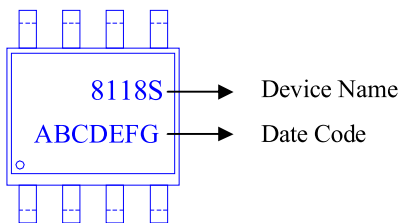
部品编码	描述	工作温度	封装结构	器件印字	标准包装
FH8118S08	V _{CC} : 7.0V I _{PEAK} : 2.5A I _{OC} : 1.8A	-30 ~ +85°C	SOP-8L	8118S (Device Code) ** ***(Date Code)	2500PCS/Reel

Note:

- FH8118S devices are Pb-free and RoHS compliant.
- The surface prints of our semiconductor devices are subject to change during the production process and do not involve changes in electrical parameters, and we will not separately state the notice.
- If you have any other custom purchase needs, please contact our sales department.



Device Name: PSOP-8



ESD SENSITIVITY CAUTION

ESD damage can range from subtle performance degradation to complete device failure. Precision integrated circuits may be more susceptible to damage because very small parametric changes could cause the device not to meet its published specifications.



Note:

- The information described herein is subject to change without notice.
- ForDevices Inc. is not responsible for any problems caused by circuits or diagrams described herein whose related industrial properties, patents, or other rights belong to third parties. The application circuit examples explain typical applications of the products, and do not guarantee the success of any specific mass-production design.
- Use of the information described herein for other purposes and/or reproduction or copying without the express permission of ForDevices Inc. is strictly prohibited.
- The products described herein cannot be used as part of any device or equipment affecting the human body, such as exercise equipment, medical equipment, security systems, gas equipment, or any apparatus installed in airplanes and other vehicles, without prior written permission of ForDevices Inc.
- Although ForDevices Inc. exerts the greatest possible effort to ensure high quality and reliability, the failure or malfunction of semiconductor products may occur. The user of these products should therefore give thorough consideration to safety design, including redundancy, fire-prevention measures, and malfunction prevention, to prevent any accidents, fires, or community damage that may ensue.