

Super-Small Package PWM Control Boost Switching Regulator

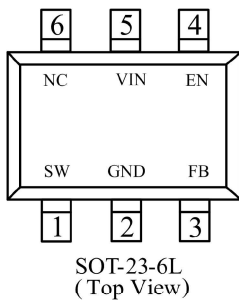
General Description

The FH4103 is a compact, high efficiency, step-up DC/DC converter with an Adaptive Current Mode PWM control loop, includes an error amplifier, ramp generator, comparator, switch pass element and driver in which providing a stable and high efficient operation over a wide range of load currents. It operates in stable waveforms without external compensation. The 80 μ A low quiescent current together with high efficiency maintains long battery lifetime.

Package

- SOT-23-6L

Pin Configuration



Features

- 1.5MHz fixed switching frequency
- 90% efficiency
- High supply capability to deliver 5V 1.2A with 1 Li-ion Cell
- 80 μ A supply current
- 0.01 μ A shutdown mode supply current

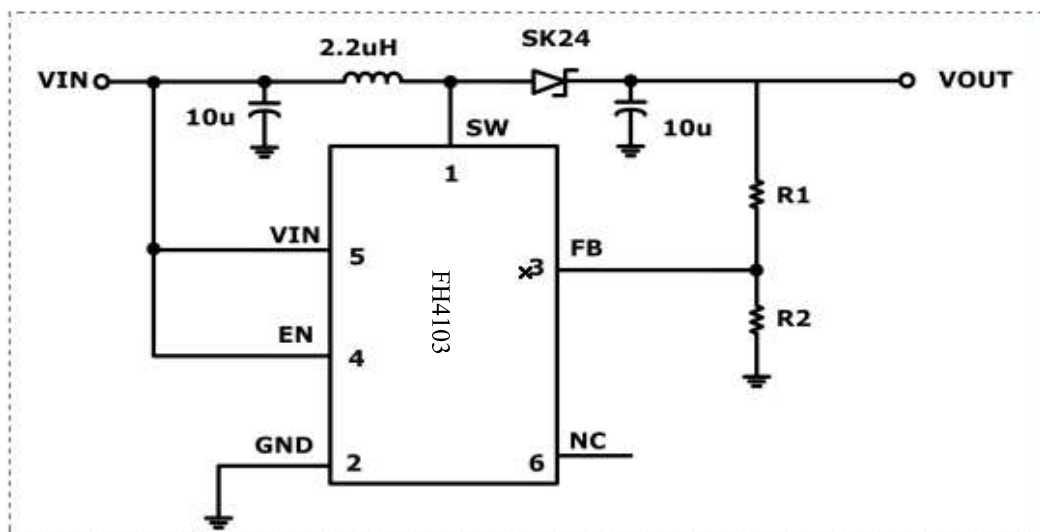
Applications

- PDA
- LCD panel
- Portable instrument
- Wireless equipment

Pin Assignment

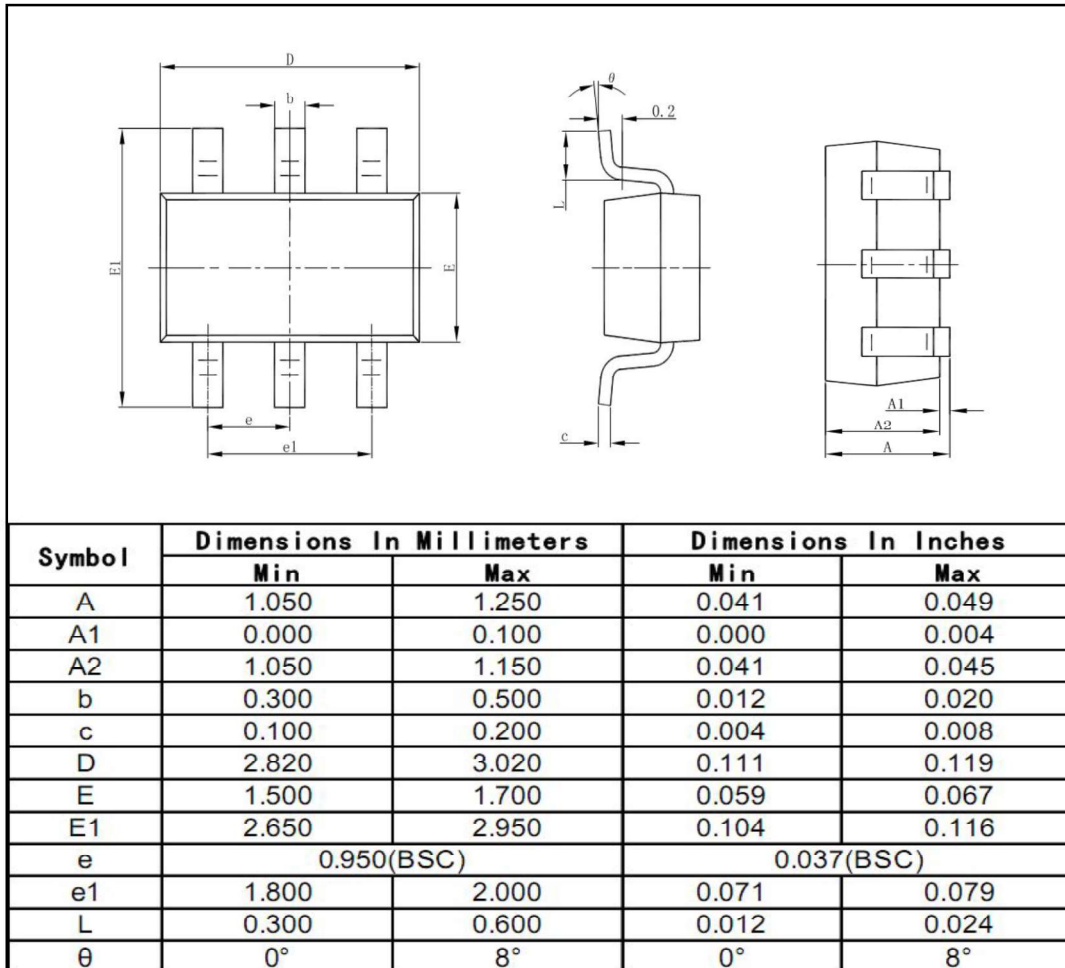
Pin Number	Pin Name	Function
1	SW	Pin for switching
2	GND	Ground
3	FB	Feedback input pin
4	EN	Chip enable
5	VIN	Input positive power pin
6	NC	Floating or connected to GND

Typical Application Circuit



■ Package Information

- SOT-23-6L



■ Ordering Information

Part No.	Symbol	Description
FH4103FBM6	FB	Feedback voltage 0.6V
	M6	SOT23-6L package
	R	Embossed Tape : Standard Feed
	S	Embossed Tape : Reverse Feed